



SILKEBORG MASKINFABRIK A/S



# Processing Tank Type SBQ-RR

SILKEBORG MASKINFABRIK A/S  
KEJLSTRUPVEJ 108  
DK-8600 SILKEBORG

TEL + 45 87 22 48 00  
FAX +45 86 82 95 14

E-MAIL SMF@SMF-AS.DK  
WEB WWW.SMF-AS.DK

CVR-NO 18494949  
ACCOUNT 9899 3328422

**Field of application:**

Agitation and processing of sweet and cultured milk and cream, yoghurt, ice cream mix, soups, sauces and similar products.

**Capacity:**

From 4,000 to 30,000 litres.

**Standard design:**

The tank is made of stainless steel, EN 1.4404.

It is provided with a stainless steel heating/cooling jacket around shell and bottom for forced circulation of water. Max. inlet pressure to jacket 4 bar.

Shell and bottom are insulated with 50 mm mineral wool and covered by an outer shell of full-welded stainless steel. It has 20° cone type top and bottom and is equipped with centrally located flanged outlet.

The tank is supported by tubular stainless steel legs with adjustable ball type feet.

The tank is equipped with:

Lifting lugs

Double frame type agitator consisting of a strong frame, stirring close to the tank wall and bottom, and a smaller frame stirring in the opposite direction. The shaft is foot-mounted.

The agitator is complete with gear and electric motors.

**Internal Finish:**

Top, shell and bottom: 2B with polished welds, max. 1.0 µm.

**External Finish:**

Top and shell: 2B with polished welds, max. 1.6 µm.

Bottom: Oil brushed

Tank fittings: Brushed welds.

**Alternative designs:**

Inner tank made of EN 1.4404 stainless steel

25° to 45° cone type bottoms

Two-section jacket

Conical stainless steel legs

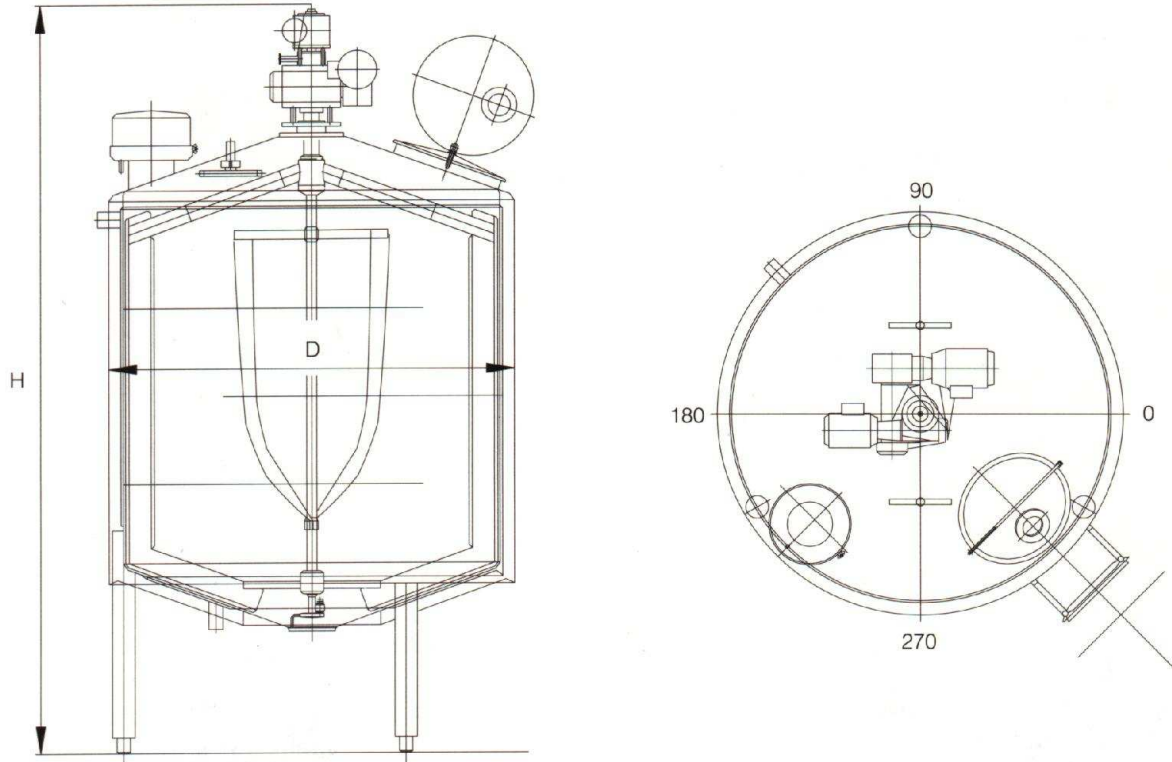


**Extra equipment:**

- Foamless inlet
- Foamless inlet, removable
- Airvent
- Swan necks
- Circular manway on tank top
- Oval manway cover on shell (only tanks of 5000 litres or more)
- Safety switch for agitator
- Anti vortex device
- Cleaning turbine
- Spray ball removable
- Sight glass
- Light fittings
- Dial thermometer
- Connection for PT-100 temperature sensor or similar
- Flange for level transmitter
- Connections for level probes
- Stainless steel ladder with safety hoop
- Capacity scale glassblasted on inner tank wall
- Sample valve, type Keofitt
- Stainless steel support plates for feet
- Extended legs - max. 900 mm
- Motor cover for agitator
- Internal finish max. 0.8 µm
- Other options on request.



**Dimensions:**



Ltr.	4000	5000	6500	8000	10000	12000	15000	20000	23000	30000
Legs	3	4	4	4	4	4	4	6	6	6

D	1833	1983	2133	2433	2433	2733	2733	3033	3033	3033
H	3289	3478	3714	3649	4149	4112	4682	4902	5657	6417
Kgs	1450	1550	1950	2100	2200	2500	2900	3200	3700	4000

All information subject to alteration without notice.